

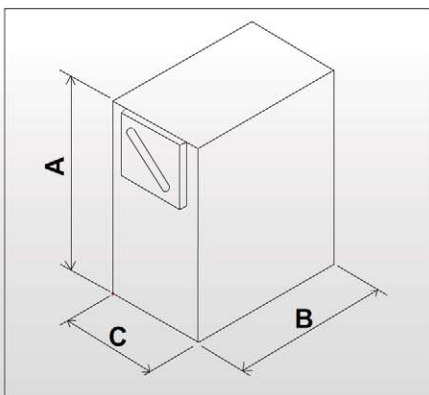
SQUARE BALANCER

New style balancer from ENDO, JAPAN.
 Square form enables easier installation in KARAKURI device.
 Balancer type and retractor type is available

- More free installation and good fixation by having a square form.
- Balancer can be fixed by M5 bolts.
- Lever-style tension adjustment mechanism adopted.
- Wire type and Nylon rope type is available.
- Smaller short stroke model has been launched.



Example of use as a power source of delivery chute



Balancer type

Model	Capacity (kg)	Stroke (m)	A(mm)	B(mm)	C(mm)	CE
BS3W	1.5-3.0	1.3	144	144	73	○
BS5W	3.0-5.0	1.3				○
BS7W	5.0-7.0	1.3				○
BS3N	1.5-3.0	1.3				○
BS5N	3.0-5.0	1.3				○
BS7N	5.0-7.0	1.3	98	98	57	○
SBS3W	1.5-3.0	0.5				○
SBS5W	3.0-5.0	0.5				○
SBS3N	1.5-3.0	0.5				○
SBS5N	3.0-5.0	0.5				○

Retractor type

Model	Max. tension N(kgf)	Stroke (m)	A(mm)	B(mm)	C(mm)	CE
RS3W	29N [3.0kgf]	3.0	144	144	73	○
RS5W	49N [5.0kgf]	3.0				—
RS3N	29N [3.0kgf]	3.0				○
RS5N	49N [5.0kgf]	3.0				—

"W" means wire type "N" means nylon rope type

COUNTER REACTION BALANCER

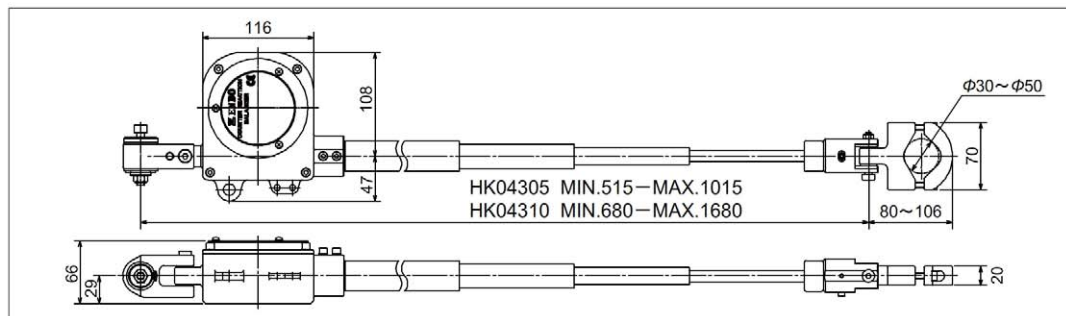
We added reaction force absorption mechanism to the balancer.

- A combination of telescopic tubes and three fulcrums reduces the reaction force generated by working with power tools.
- Spring balancer function helps you to handling tools.
- Lever-style tension adjustment mechanism adopted.
- The fastening torque supports 40Nm and 150Nm.
- In addition to the reaction force absorption during the operation, it is also available for the following work environment:-
 - In diagonal argument or diagonal pulling operation
 - In case of dislike the rolling and swinging of the hanging tools by the balancer .

Model	Capacity (kg)	Torque (N·m)	Stroke (m)	Mass (kg)	CE
HK04305	0.5~3.0	40	0.5	3.5	○
HK04310	0.5~3.0	40	1.0	3.8	○
HK15505	2.5~5.0	150	0.5	5.3	○
HK15510	2.5~5.0	150	1.0	6.2	○



HK04 series



HK15 series

